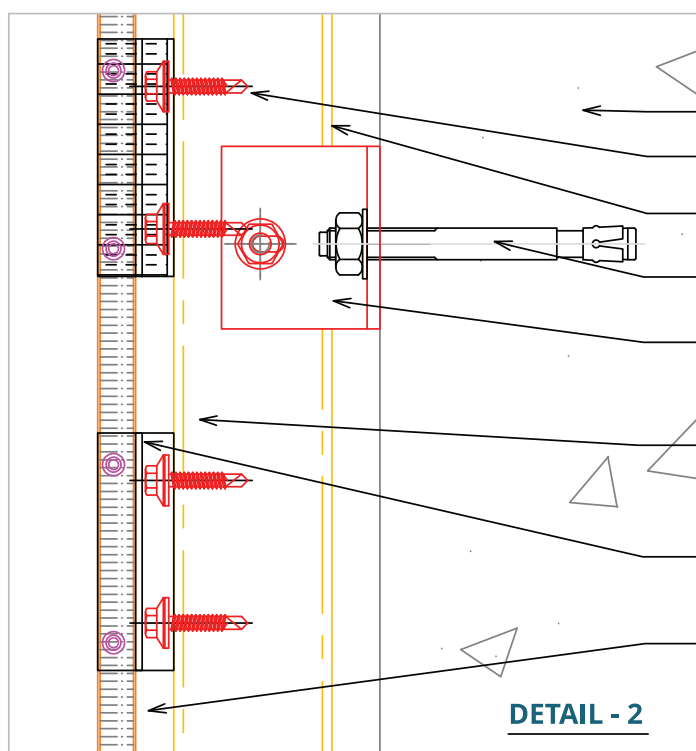
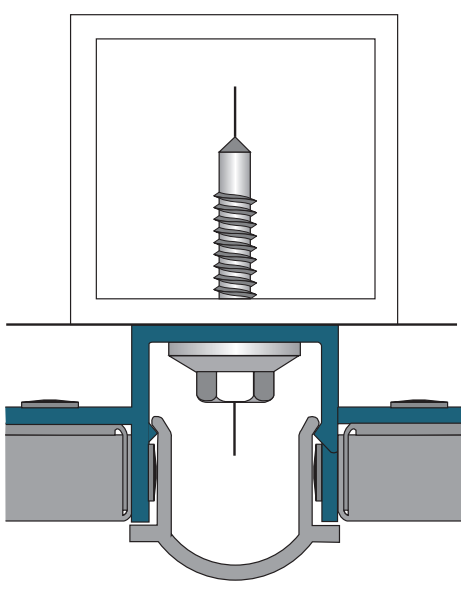


- SUB STRUCTURE
- SELF TAPPING SCREW
- ALUMINIUM EXTRUDED BOX SECTION
- MS L ANGLE IN STAGGERING FIXING SYSTEM
- ANCHOR BOLTS
- ALUMINIUM EXTRUDED "Z" CLEAT - CUSTOMIZED
- ALUMINIUM POP RIVETS
- HONEY COMB PANEL - 12mm THK
- ALUMINIUM EXTRUDED COVERING PROFILE



- SUB STRUCTURE
- SELF TAPPING SCREW
- ALUMINIUM EXTRUDED BOX SECTION
- ANCHOR BOLTS
- MS L ANGLE IN STAGGERING FIXING SYSTEM
- ALUMINIUM EXTRUDED "Z" CLEAT - CUSTOMIZED
- ALUMINIUM POP RIVETS
- HONEY COMB PANEL - 12mm THK

**DETAIL - 2**